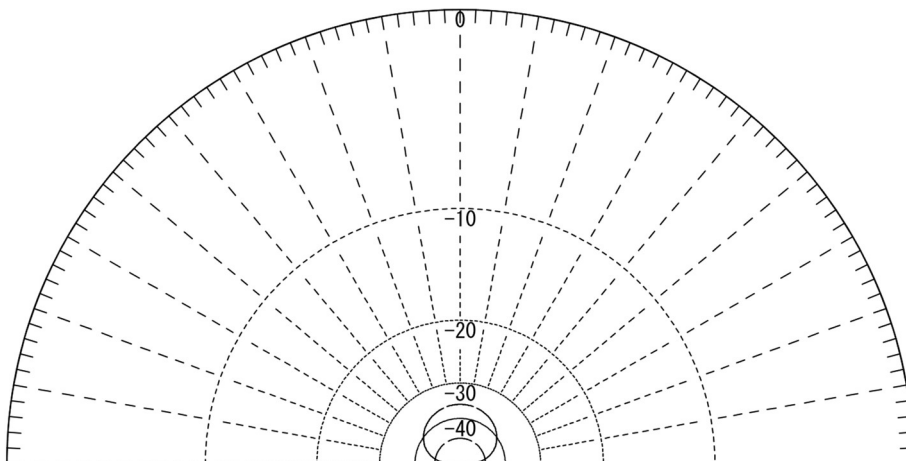
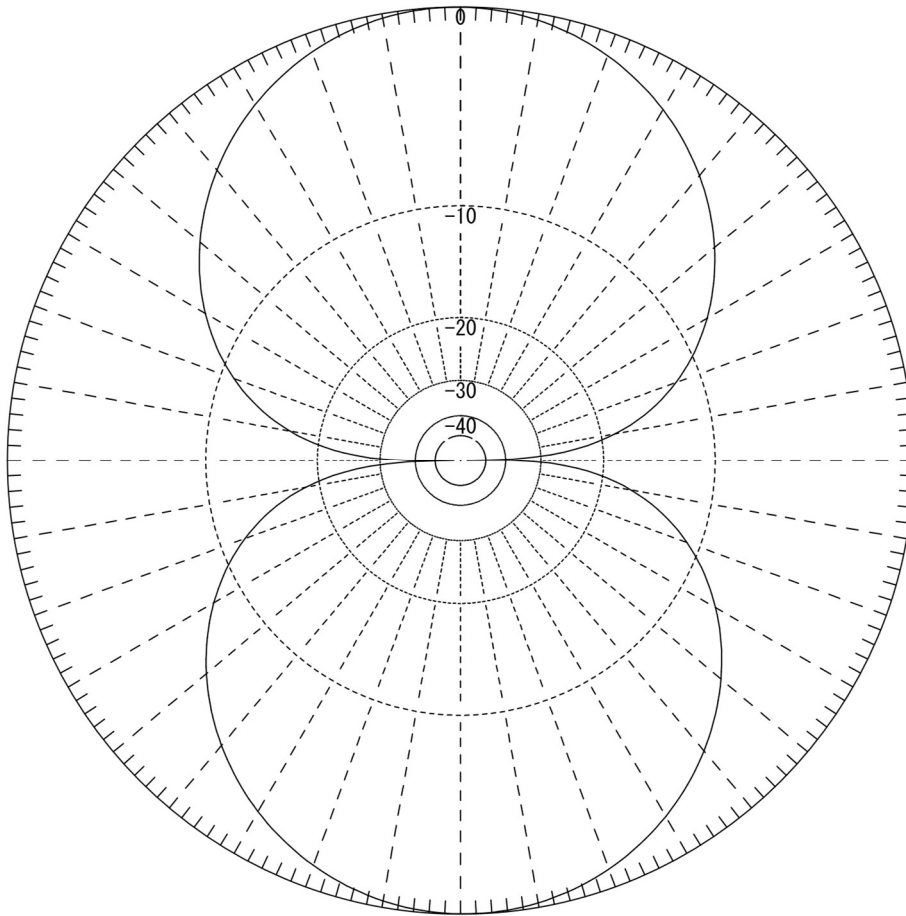


MMANA Ver1.77 (C) JE3HHT 1999-2000

FUTABA



Ga :2.18(dBi) = 0dB (Horizontal polarization)

Gh :0.03(dBd)

F/B :0.00(dB) In back : Horizontal 120° Vertical 60°

Freq:437.375(MHz)

Z :90.189+j60.537

SWR :2.82(50.0Ω) 6.72(600Ω) Elevation:90.0°(Free
Space)
(Elevation of Horizontal Pattern:0.0°Peak:2.18dBi)